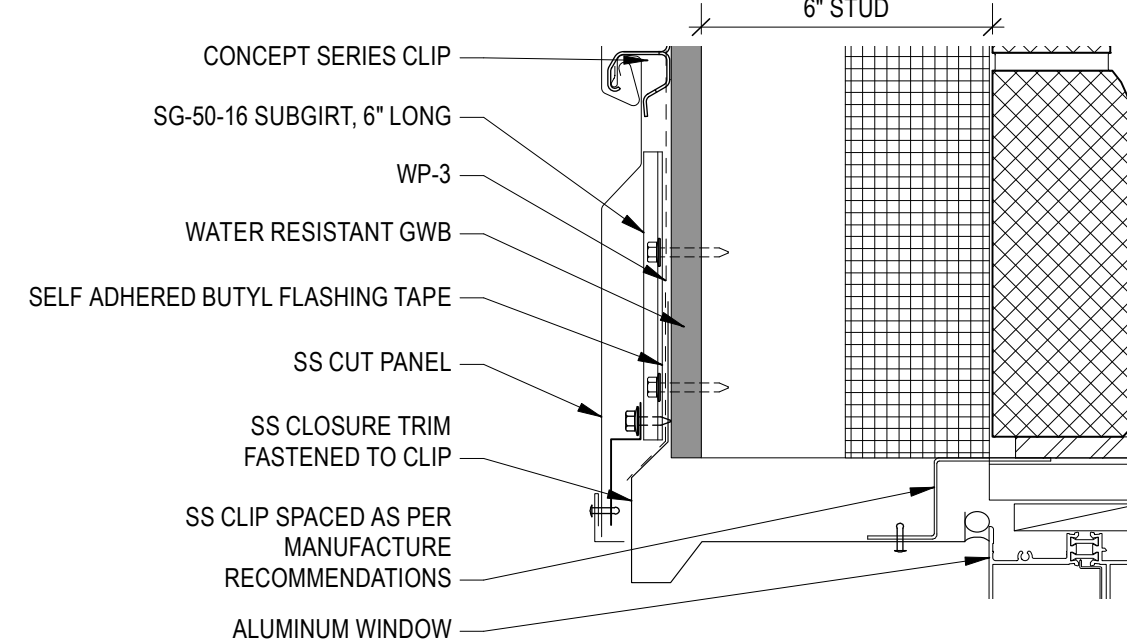
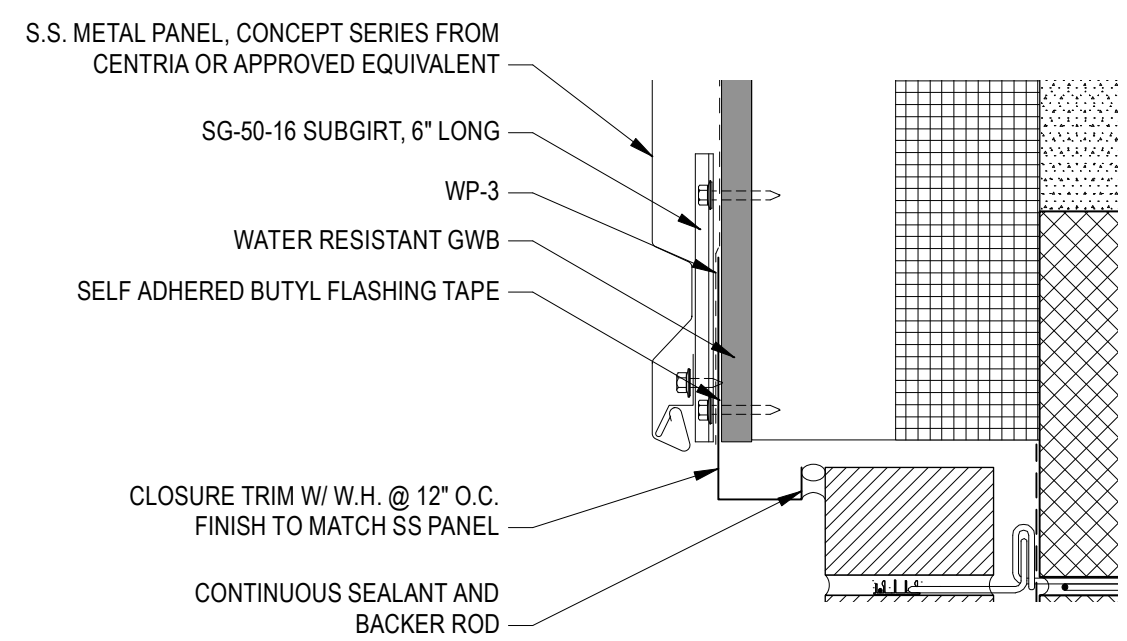


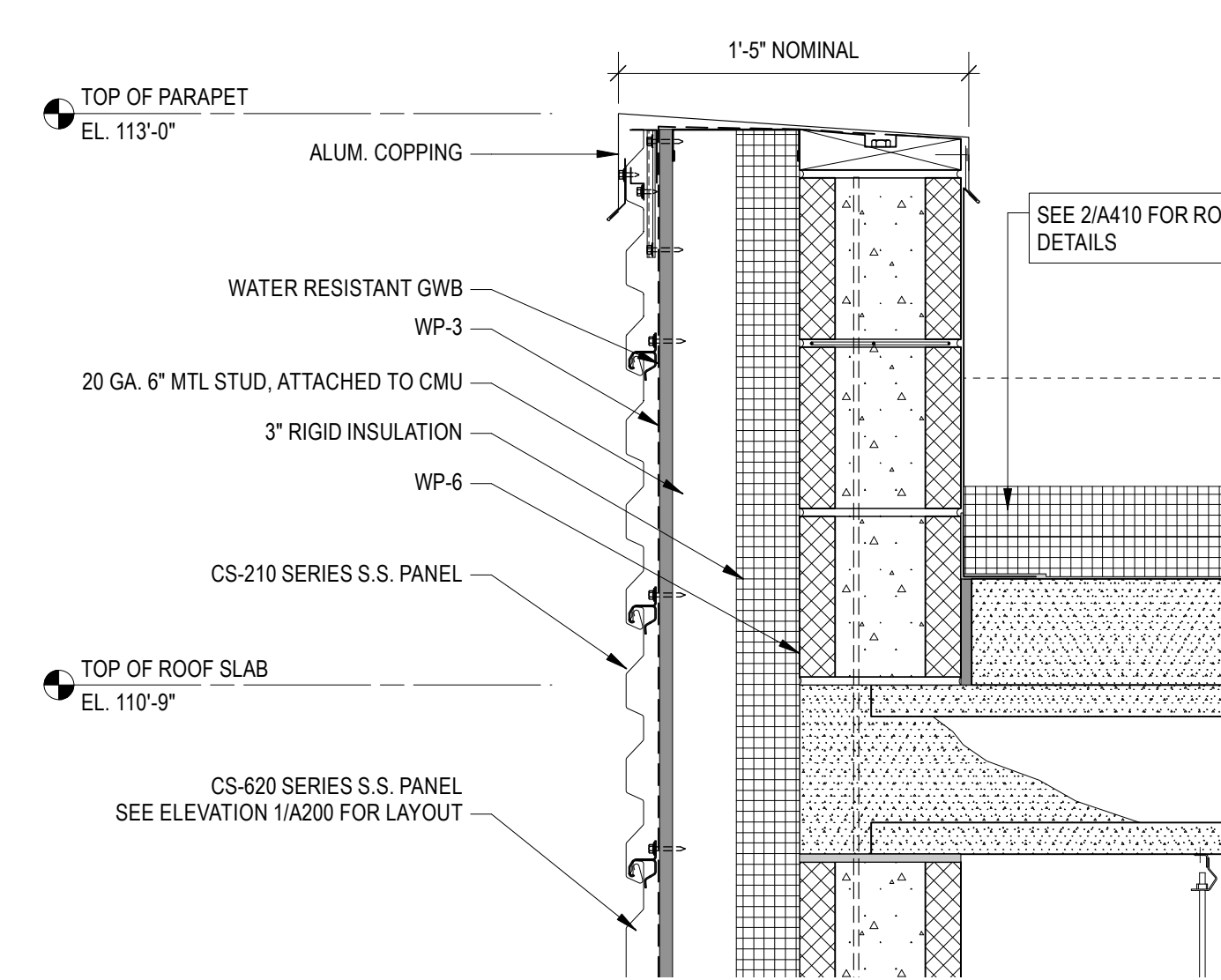
1 SECTION DETAIL OF SS PANEL: TRANSITION CONDITION
Scale: 3" = 1'-0"



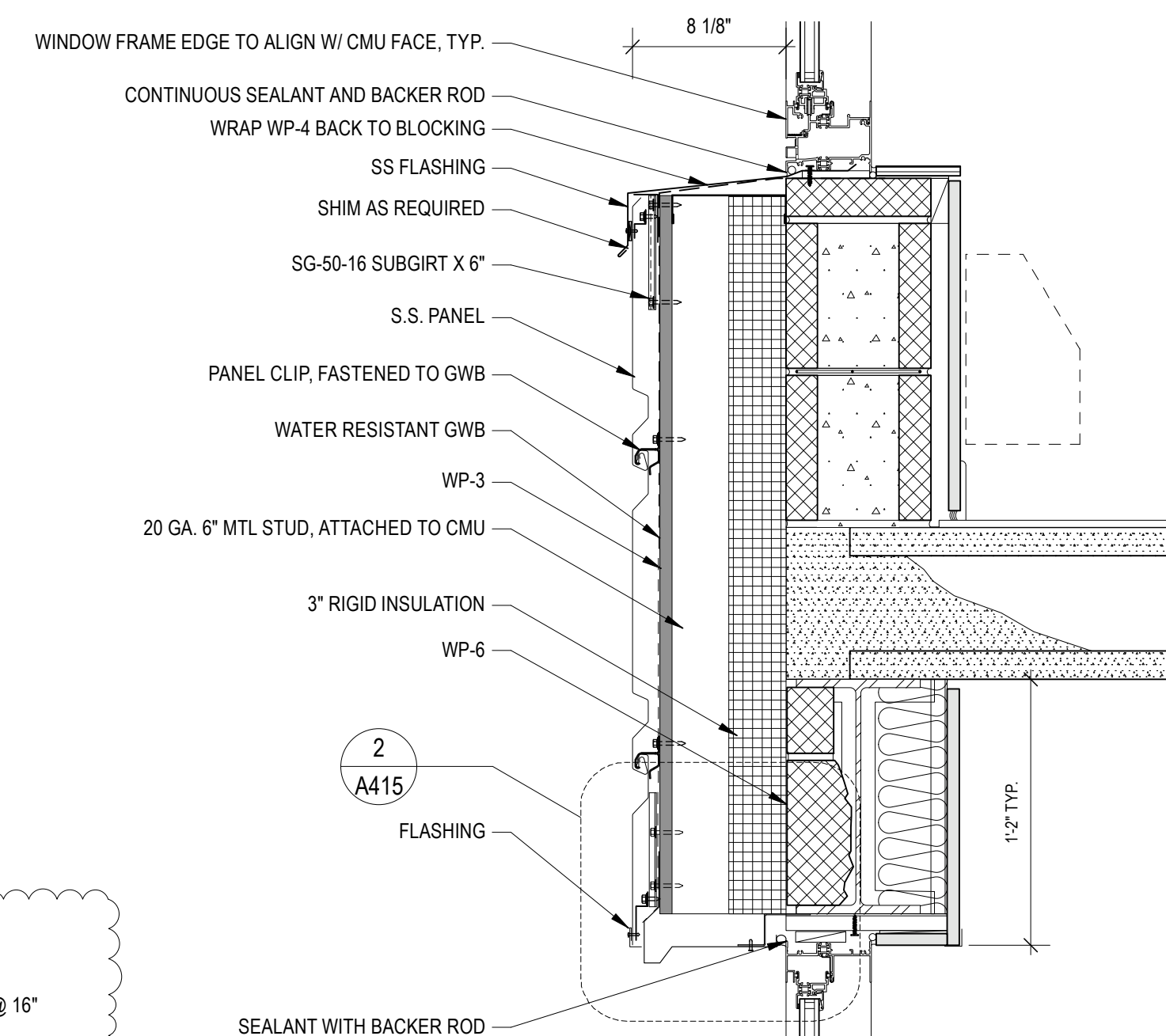
2 SECTION DETAIL OF SS PANEL: WINDOW HEAD CONDITION
Scale: 3" = 1'-0"



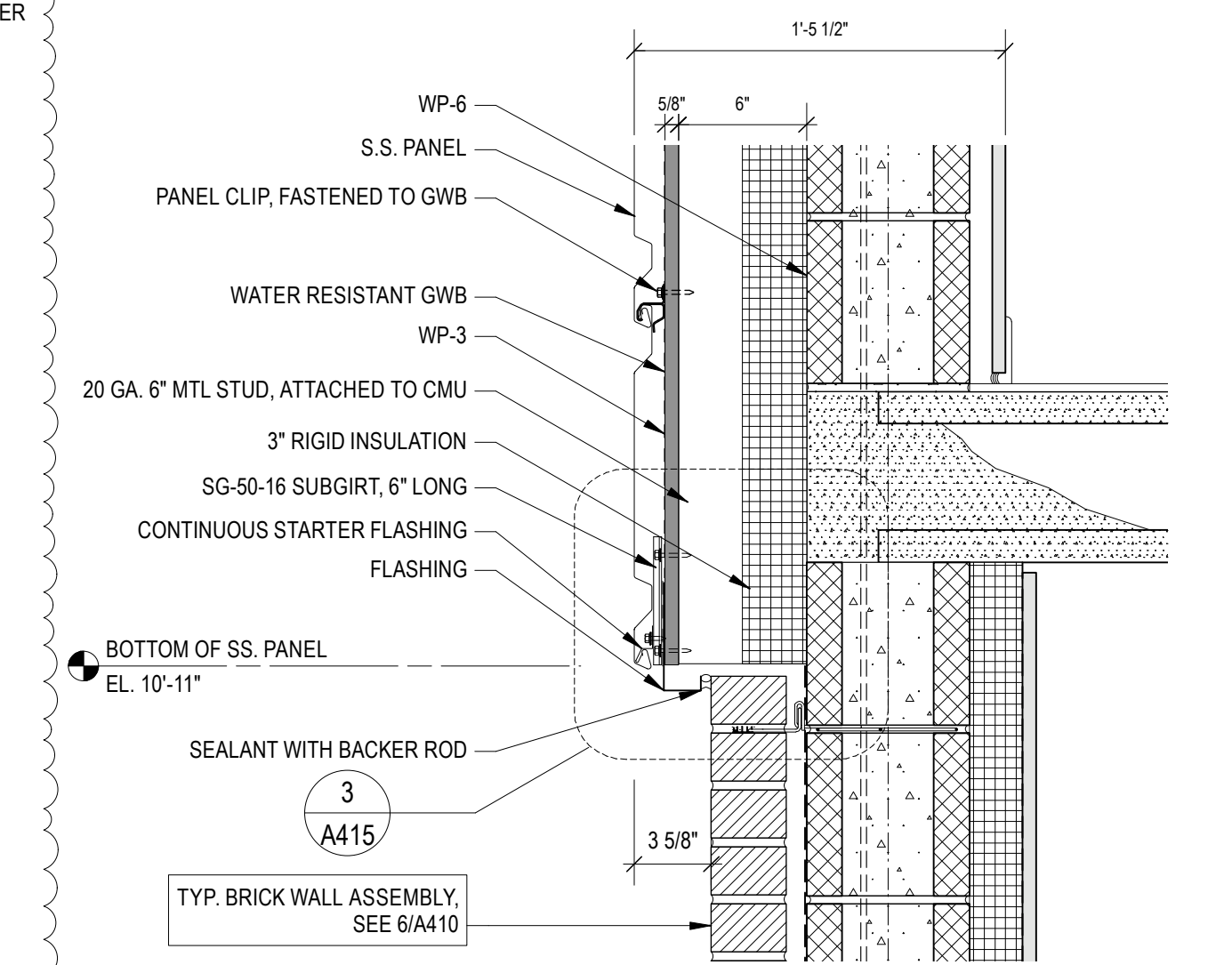
3 SECTION DETAIL OF SS PANEL: BOTTOM CONDITION
Scale: 3" = 1'-0"



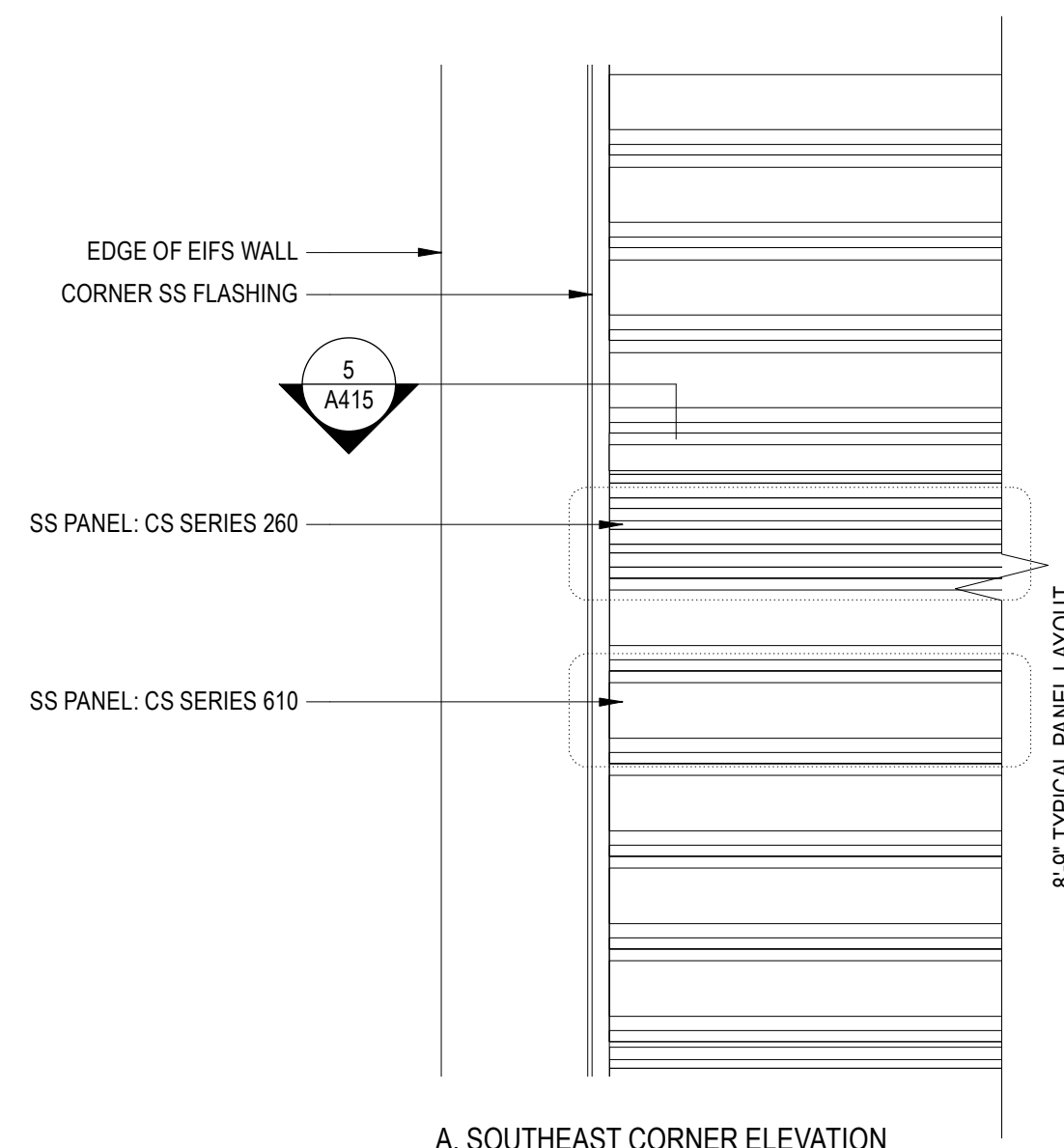
8 WALL SECTION DETAIL @ SS PANEL: TOP CONDITION
Scale: 1 1/2" = 1'-0"



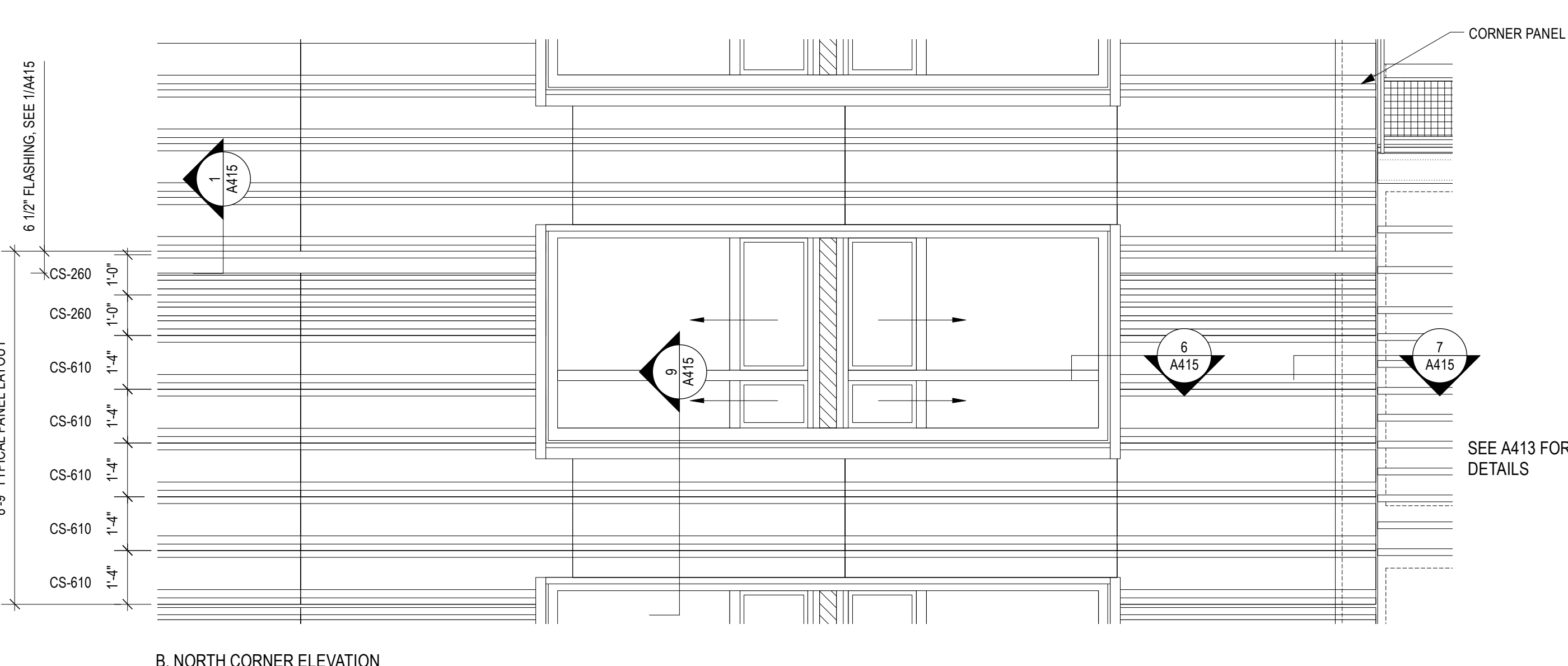
9 WALL SECTION DETAIL @ SS PANEL: WINDOW OPENINGS
Scale: 1 1/2" = 1'-0"



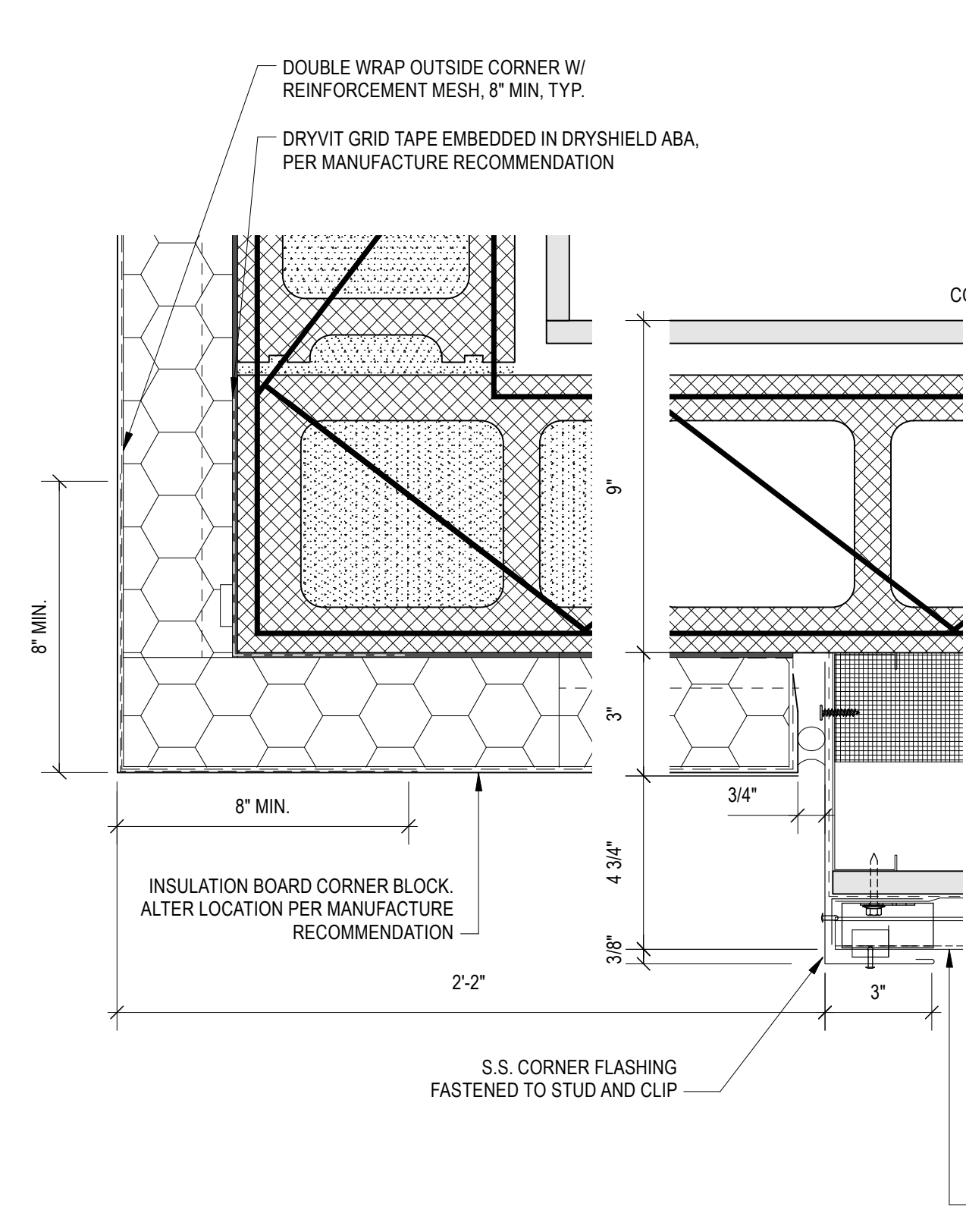
10 WALL SECTION DETAIL @ SS PANEL: BOTTOM CONDITION
Scale: 1 1/2" = 1'-0"



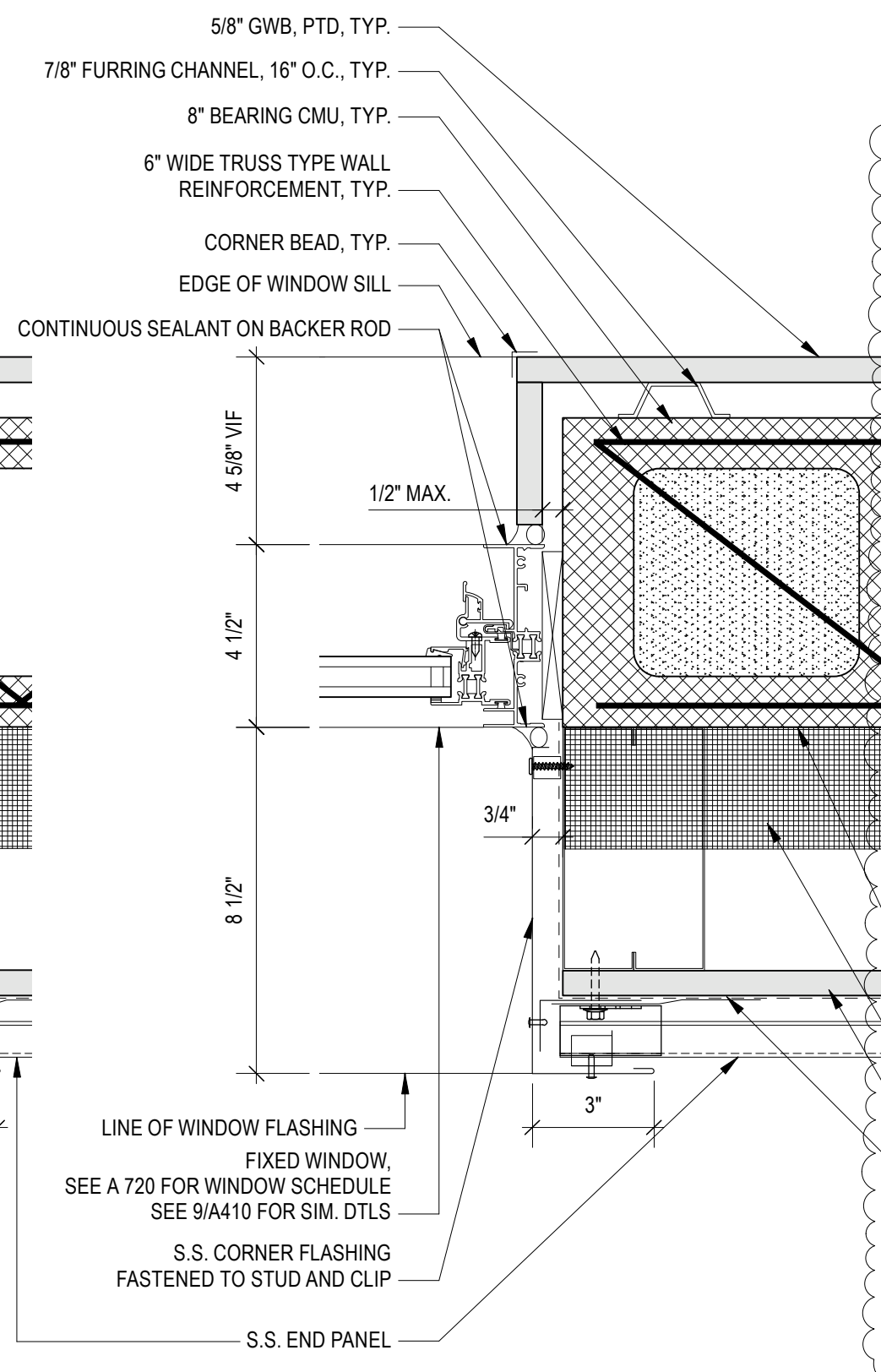
4 PARTIAL SS PANEL ELEVATION
Scale: 3/8" = 1'-0"



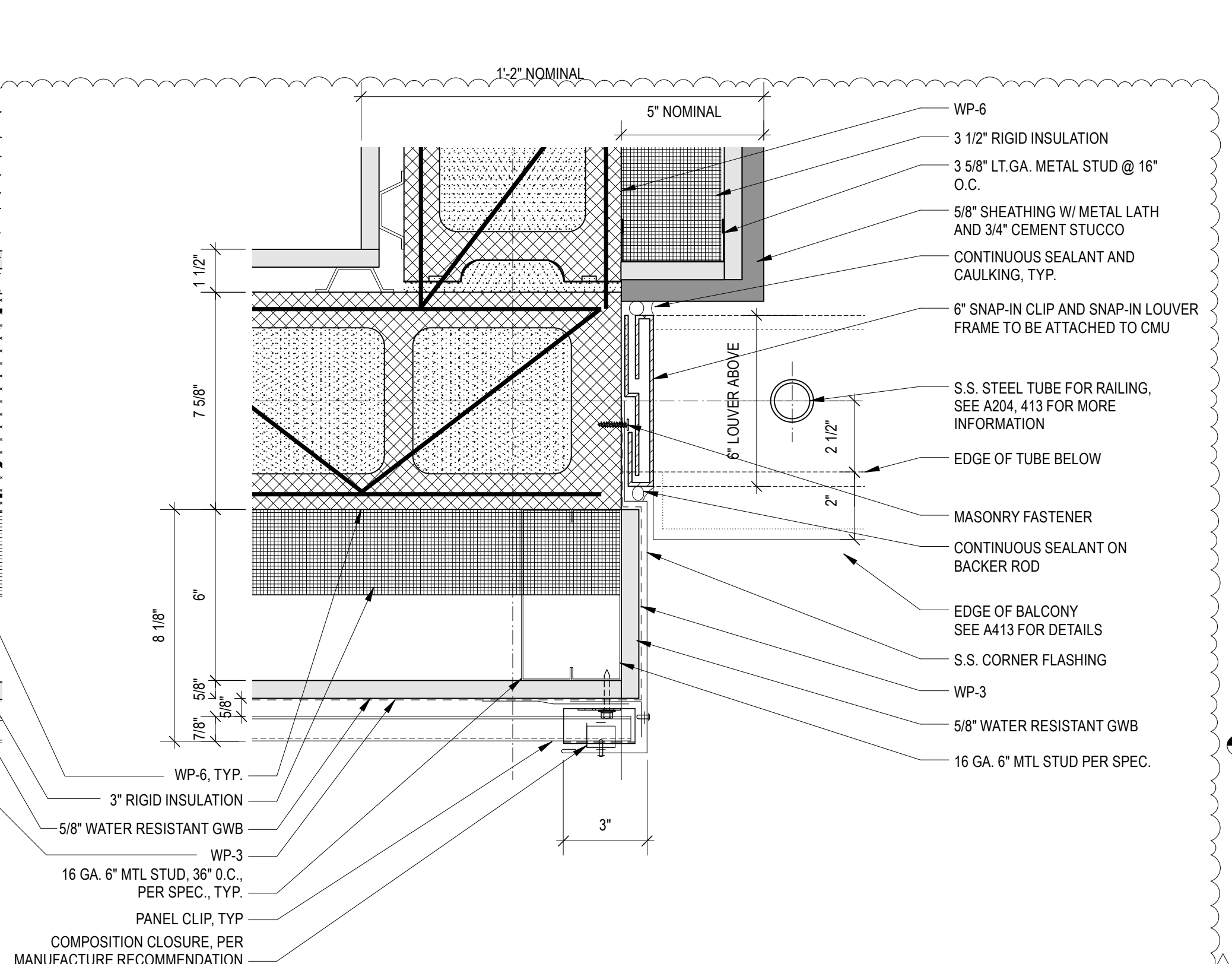
B. NORTH CORNER ELEVATION



5 SOUTH CORNER PLAN DETAIL OF EAST FACADE
Scale: 3" = 1'-0"



6 TYPICAL WINDOW JAMB PLAN DETAIL W/ SS PANEL
Scale: 3" = 1'-0"



7 CORNER PLAN DETAIL @ BALCONY
Scale: 3" = 1'-0"

10 WALL SECTION DETAIL @ SS PANEL: BOTTOM CONDITION
Scale: 1 1/2" = 1'-0"

GENERAL NOTES:
1. PROVIDE CONT. ISOLATION BETWEEN SS FLASHING AND ALUM. WINDOW.
2. ALL WOOD BLOCKING TO BE FIRE RETARDANT PRESSURE TREATED WOOD

Architects:
Kiss + Cathcart, Architects
44 Court Street, Tower C
Brooklyn, NY 11215
(718) 237-2786 phone / (718) 237-2025 fax

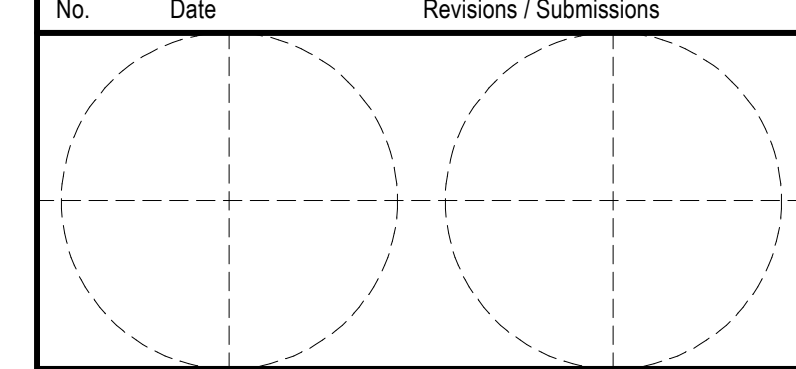
MEP Engineers:
Goldman Copeland Associates
520 Eighth Avenue
New York, NY 10018
(212) 868-4660 phone / (212) 868-4680 fax

Structural Engineers:
Robert Silman Associates
88 University Place
New York, NY 10003
(212) 620-7970 phone / (212) 620-8157 fax

Landscape:
Donna Walcavage Landscape and Urban Design
212 Hicks Street
Brooklyn, NY 11201
(718) 834-0224 phone / (718) 834-9102 fax

Lighting:
AWA Architectural Lighting Designers
504 LaGuardia Place, 5th Floor
New York, NY 10012
(212) 473-9797 phone / (212) 473-9708 fax

No.	Date	Revisions / Submissions
A	06/06/07	REVISION IN CORNER DETAIL
B	12/06/06	CONTRACT DOCUMENT
C	09/18/06	BID DOCUMENT 100%
D	08/21/06	CONSTRUCTION DOCUMENT 100%



Project Title:
**The Pitt Street Residence
Common Ground Community**
133 Pitt Street
New York, NY
10002

Drawing Title:
**Exterior Details
SS PANEL: EAST FACADE**

Date: 09/18/06
Scale: AS NOTED

Drawn By: SA
Reviewed By: CC

A-415