

Equipment List

System Name: Briefing Area

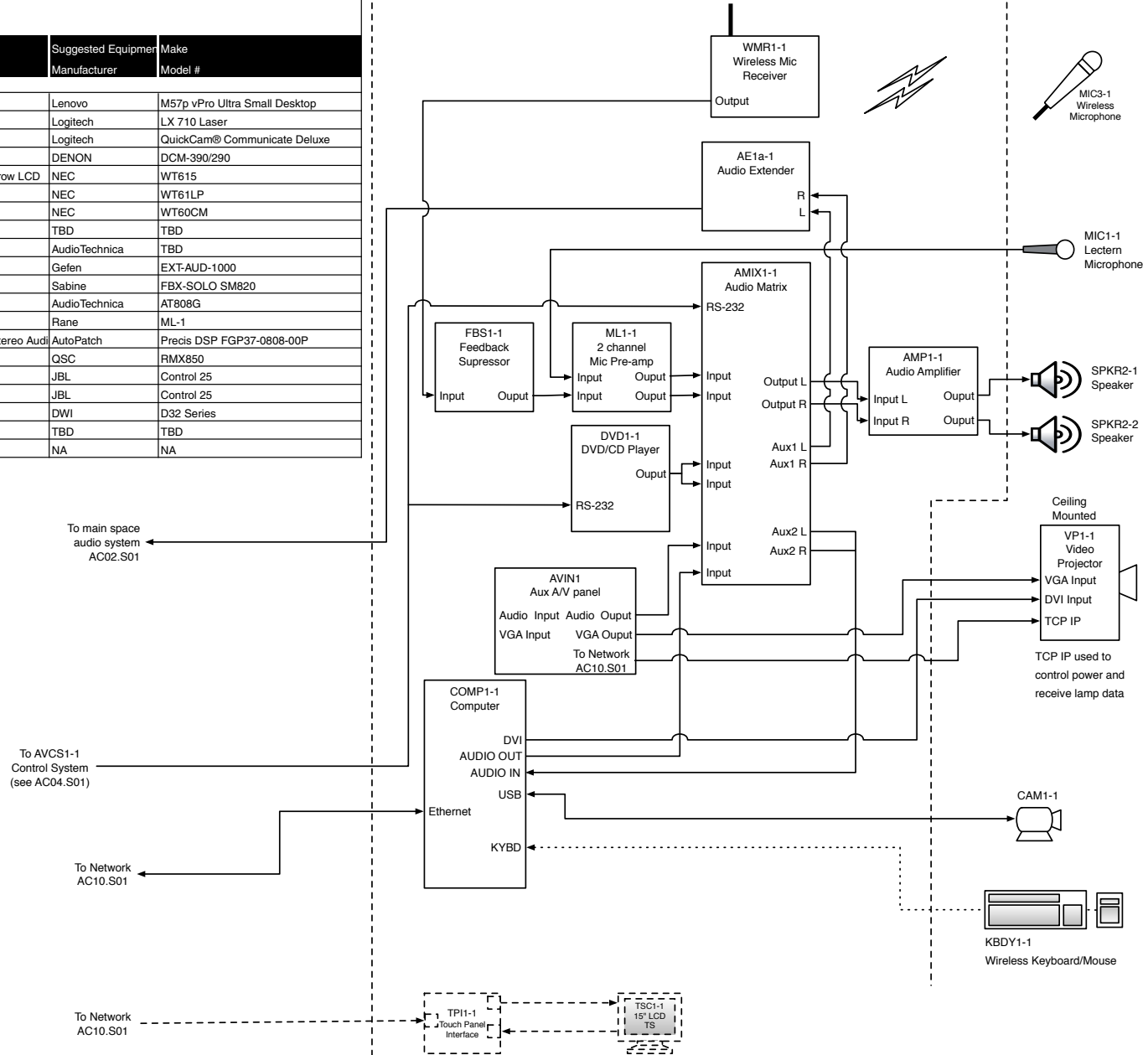
System Number: AC03.S01

Quantity: 1

Ref. Code	Qty	Description	Suggested Equipment Manufacturer	Make Model #
COMP1	1	Computer - General Display	Lenovo	M57p vPro Ultra Small Desktop
KYBD1	1	Wireless Keyboard & Mouse	Logitech	LX 710 Laser
CAM1	1	Webcam	Logitech	QuickCam@ Communicate Deluxe
CD1	1	CD Player - 5 Disk Changer	DENON	DCM-390/290
VP1	1	Video Projector - Ultra Short Throw LCD	NEC	WT615
VP1A	3	Video Projector - Spare Lamp	NEC	WT61LP
VPM	1	Video Projector - Mount	NEC	WT60CM
VPN	1	Video Projector - Network Card	TBD	TBD
MIC3	1	Wireless Microphone	AudioTechnica	TBD
AE1	1	Audio Extender - CAT5	Gefen	EXT-AUD-1000
FBS1	1	Feedback Suppressor	Sabine	FBX-SOLO SM820
MIC1	1	Microphone - Lectern	AudioTechnica	AT808G
ML1	1	Mic/Line Preamp 2 x 2	Rane	ML-1
AMIX1	1	Audio Matrix Switcher - 4x4 - Stereo Audio	AutoPatch	Precis DSP FGP37-0808-00P
AMP1	1	Audio Amplifier - Stereo	QSC	RMX850
SPKR2	2	Audio Speaker	JBL	Control 25
SPKR2B	2	Speaker Mounting Bracket	JBL	Control 25
RACK2	1	Lectern/Equipment Rack	DWI	D32 Series
AVIN1	1	Aux VGA/Audio patch panel	TBD	TBD
CABLE1	1	Cabling	NA	NA

Storage Closet Rack System

DWI Enterprises Lectern w/ lockable equipment rack - D32 Series
See Physical Design Package EX03.01



Exhibition Area



ESI Design
111 Fifth Avenue
New York NY 10003
T 212 989 3993
F 212 673 4061

This is an unpublished confidential and proprietary work simultaneously protected under copyright, trade secret, and the laws of the United States and other countries. All rights reserved. These materials may not be reproduced, displayed, distributed, nor may the information herein be used or disclosed, in whole or in part, without the express written permission of ESI Design Incorporated © 2007.



No. Issue Date

Date: 01/24/2008
Drawn By: JA / MC / MLS
Scale: NONE
Phase: 100% FD

BRIEFING AREA

SCHEMATIC SYSTEMS DESIGN

Job Number: 05501-0A
Drawing Number: AC03.S01