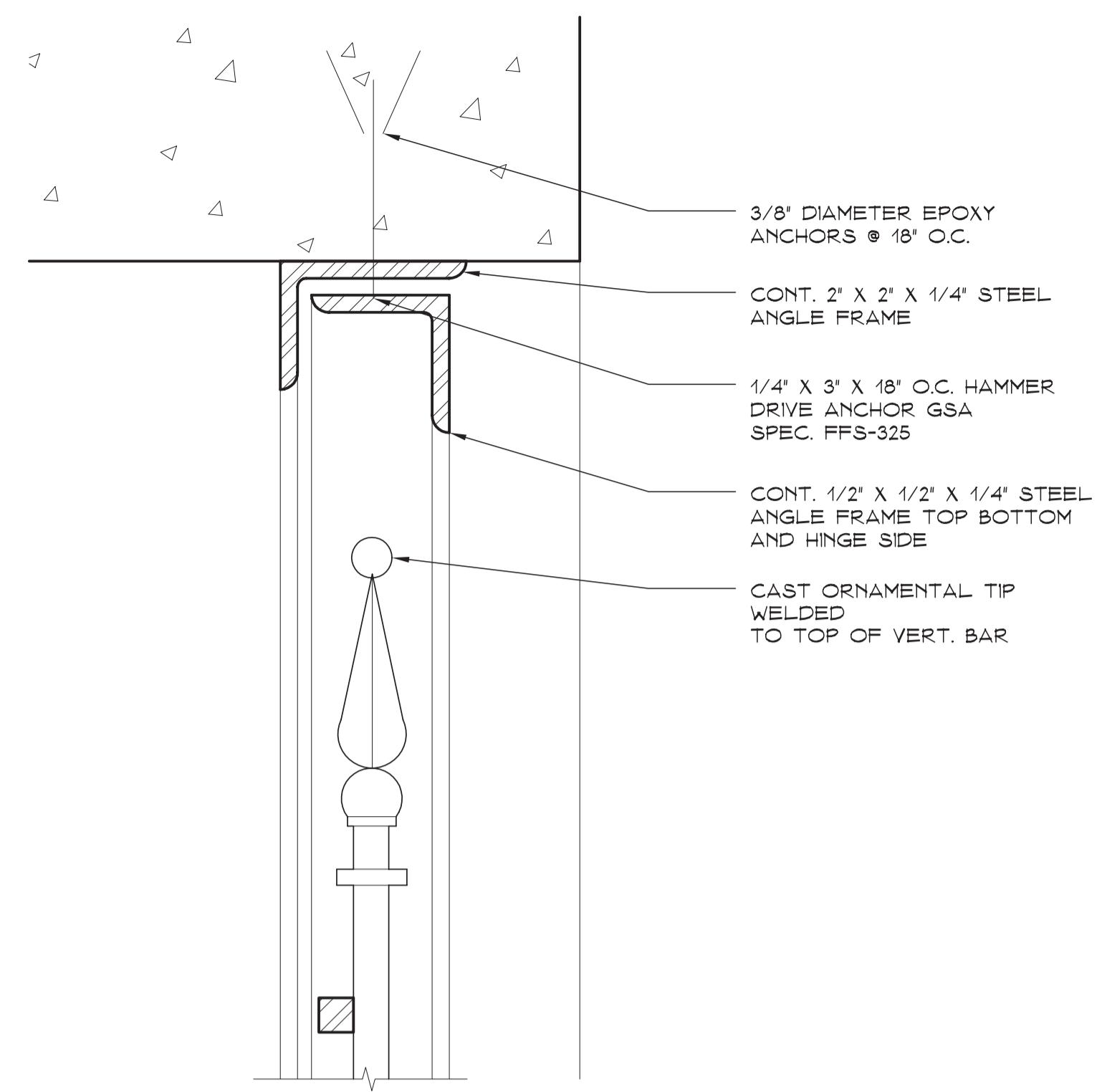
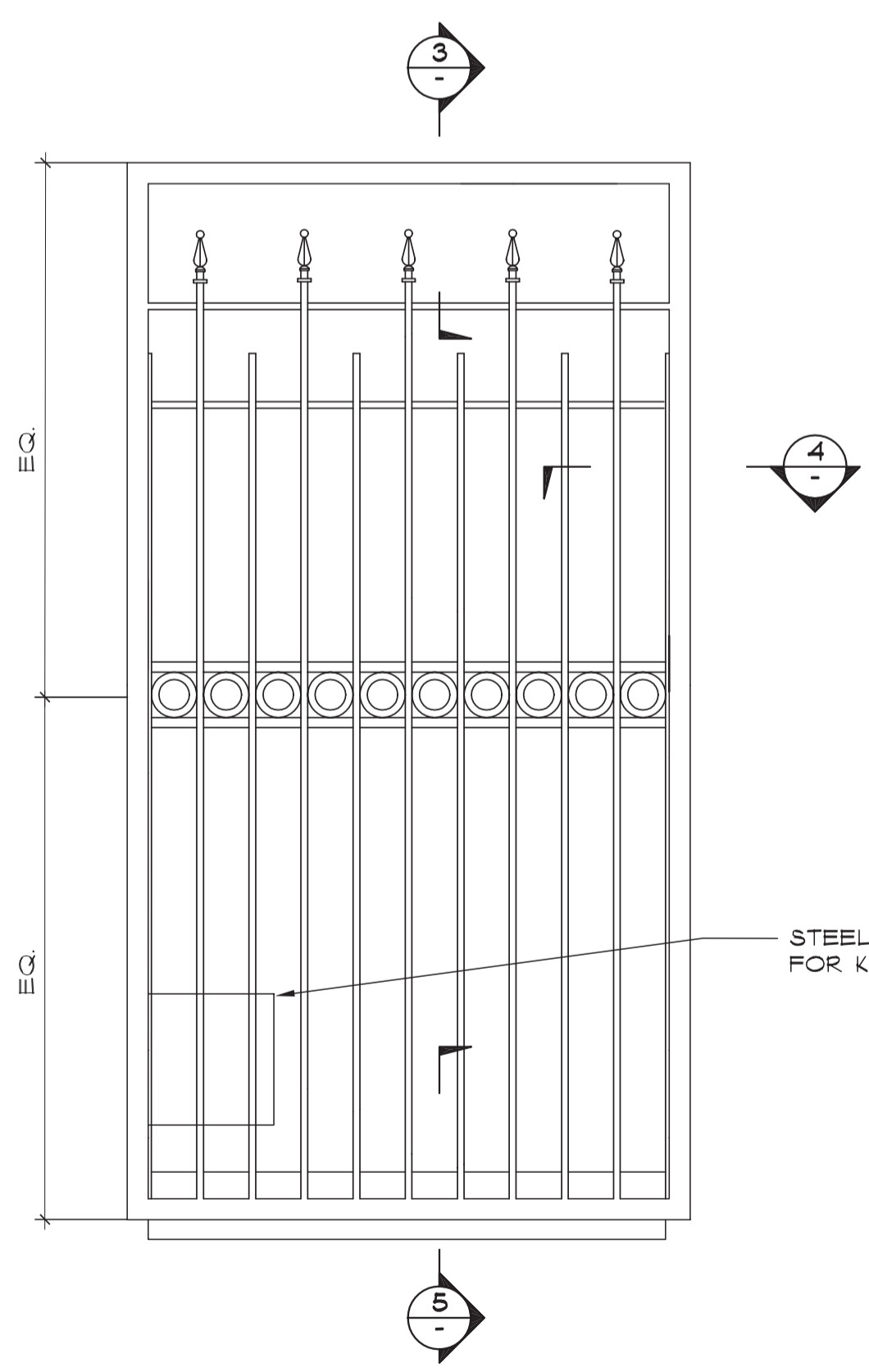


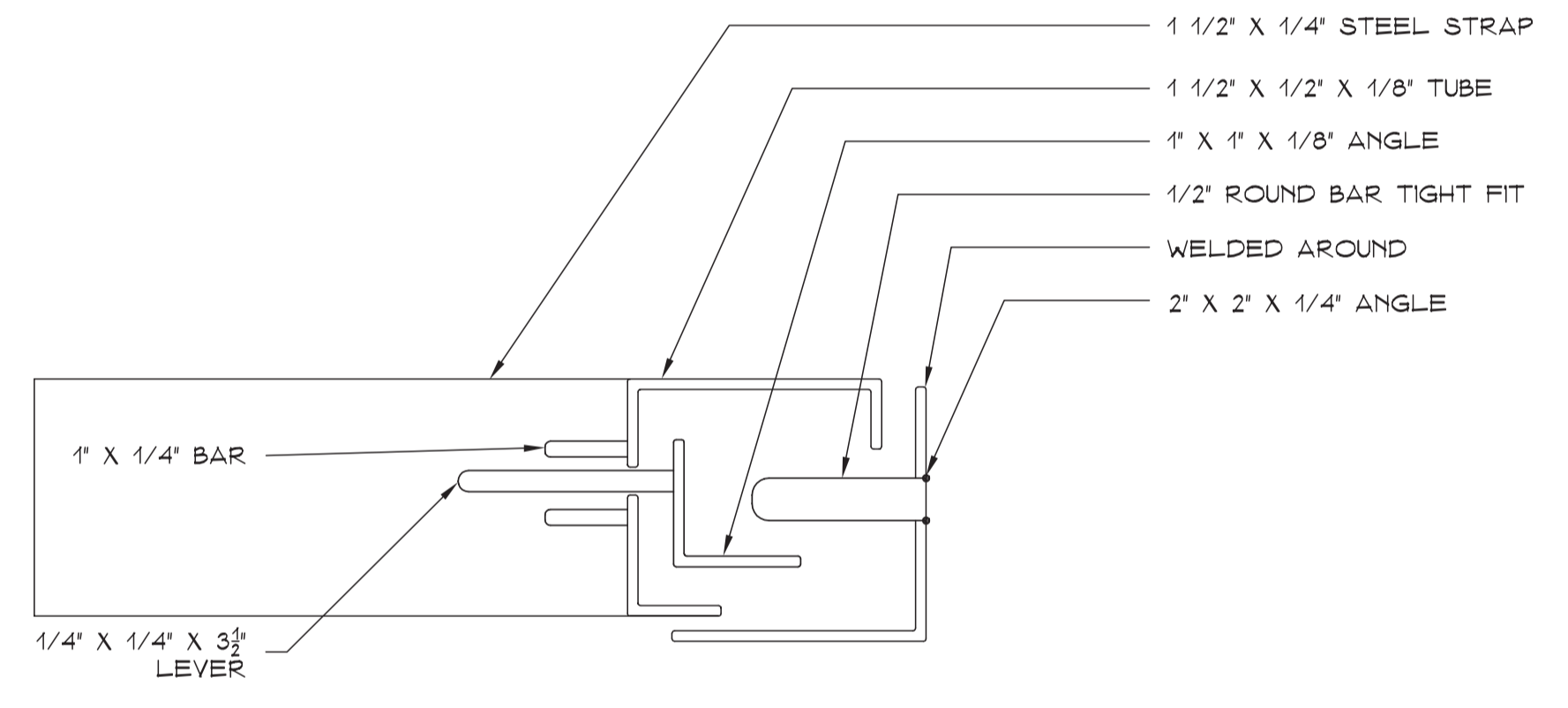
1 TYPICAL WINDOW ELEVATIONS
SCALE : 1" = 1'-0"



3 DETAIL @ WINDOW HEAD
SCALE : HALF FULL



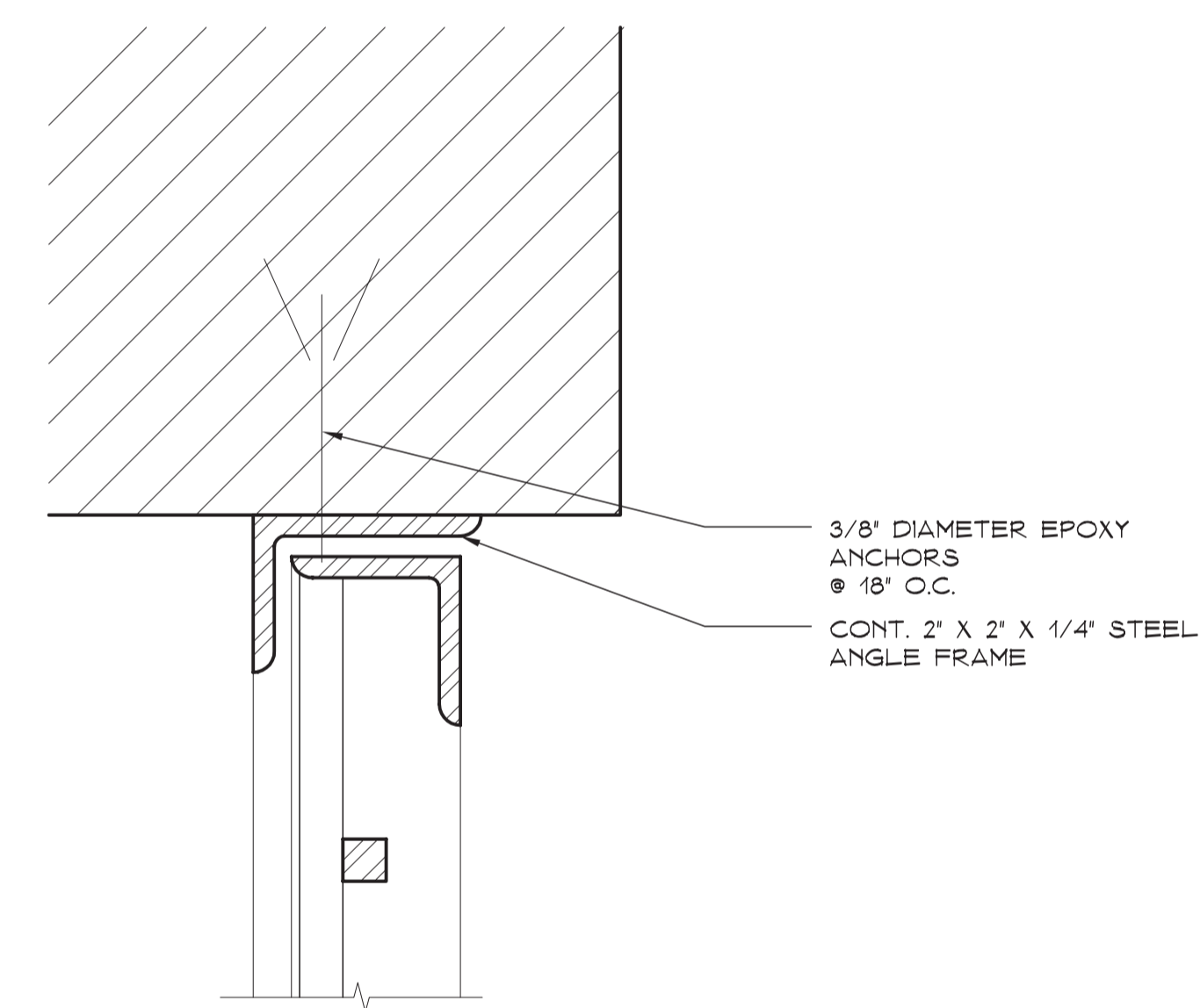
2 TYPICAL GRILLE ELEVATION
SCALE : 1" = 1'-0"



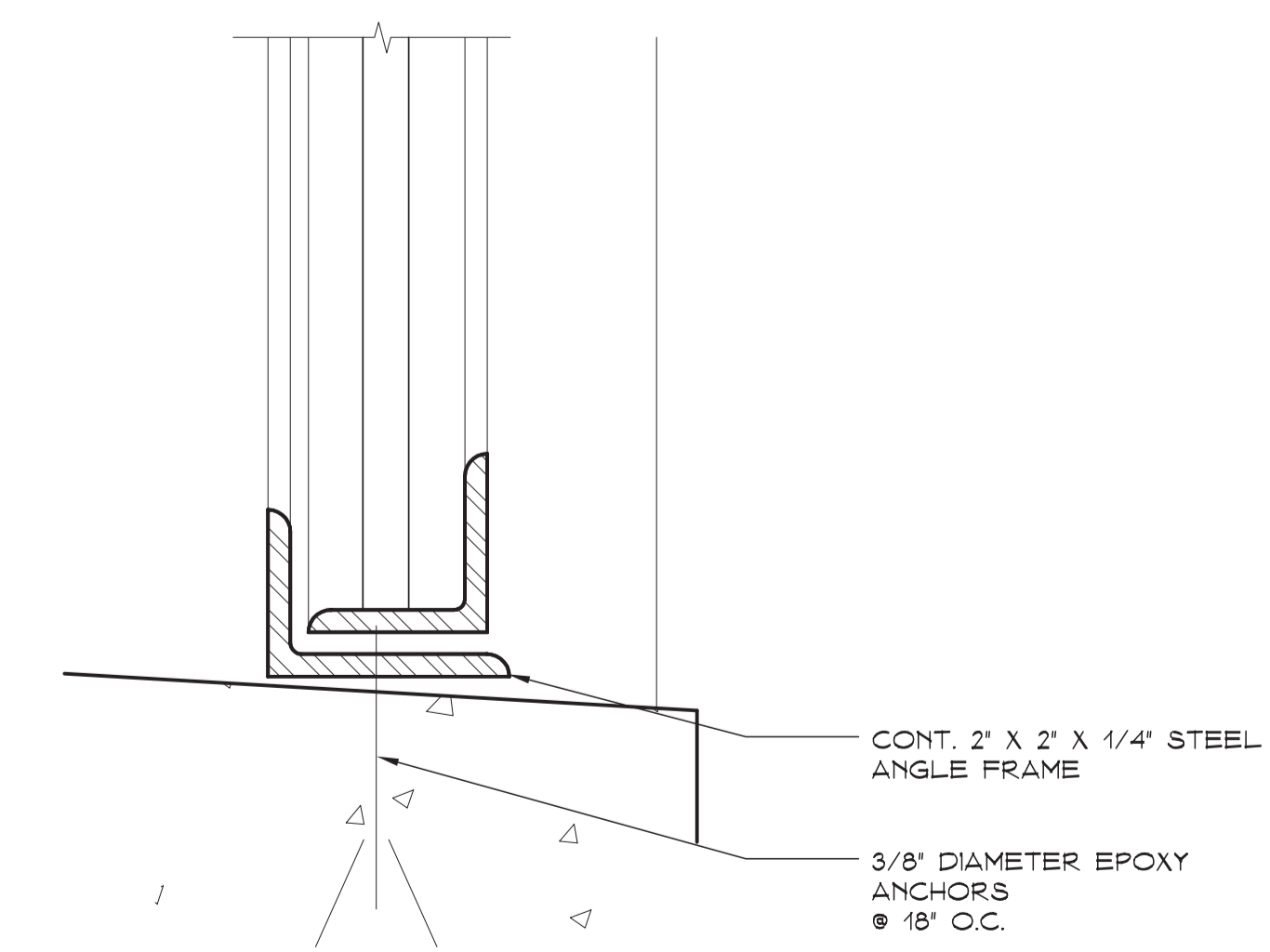
6 KENDI LOCK DETAIL
SCALE : NTS

WINDOW GRILLE SCHEDULE			
WINDOW NUMBER	WINDOW TYPE	MASONRY OPENING (DIMS. TO BE V.I.F.)	
		WIDTH	HEIGHT
107	A	3'-0"	6'-9"
108	B	5'-2 1/2"	6'-9"
109	B	5'-2 1/2"	6'-9"
111	B	5'-2 1/2"	6'-9"
112	B	5'-9"	6'-9"
113	A	3'-5 1/4"	6'-9"
114	A	3'-5 1/4"	6'-9"
115	B	5'-9"	6'-9"
116	B	5'-2 1/2"	6'-9"
117	B	5'-2 1/2"	6'-9"
118	A	3'-2 1/2"	6'-9"
119	B	5'-2 1/2"	6'-9"
120	B	5'-2 1/2"	6'-9"

7 WINDOW GRILLE SCHEDULE
SCALE : N/A



4 DETAIL @ WINDOW JAMB
SCALE : HALF FULL



5 DETAIL @ WINDOW SILL
SCALE : HALF FULL



Eldridge Street Synagogue

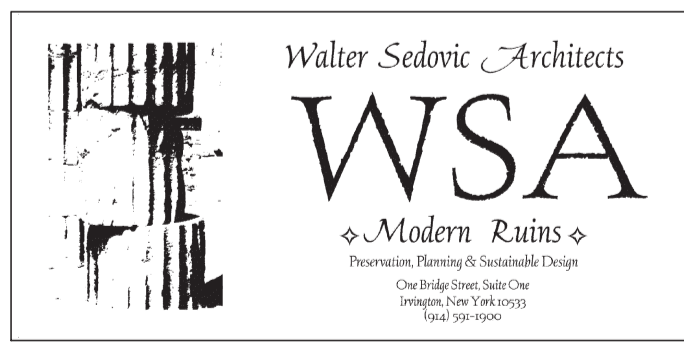
Interior Restoration

Eldridge Street Project
12 Eldridge Street
New York, NY 10002

ISSUED FOR BID

ISSUED FOR LMDC REVIEW 7/24/07
Issue/Revision Date

Date
July 24, 2007



Scale
As Noted

Sheet Title
Window Grille

Drawing No.
A-11